

myone



**watertight
sliding doors**

LUCE S

The Works series models represent the ideal solution in those contexts, in which weather conditions are particularly harsh, for example on boats, or where a high level of hygiene is required. Components and screws are entirely made of AISI 316L stainless steel, which guarantees the maximum resistance. The box containing the motor and the electronics is IP65 rated and ensures maximum water and dust tightness. Available in single-leaf (up to 200 kg) or double-leaf (up to 130+130 kg) versions.

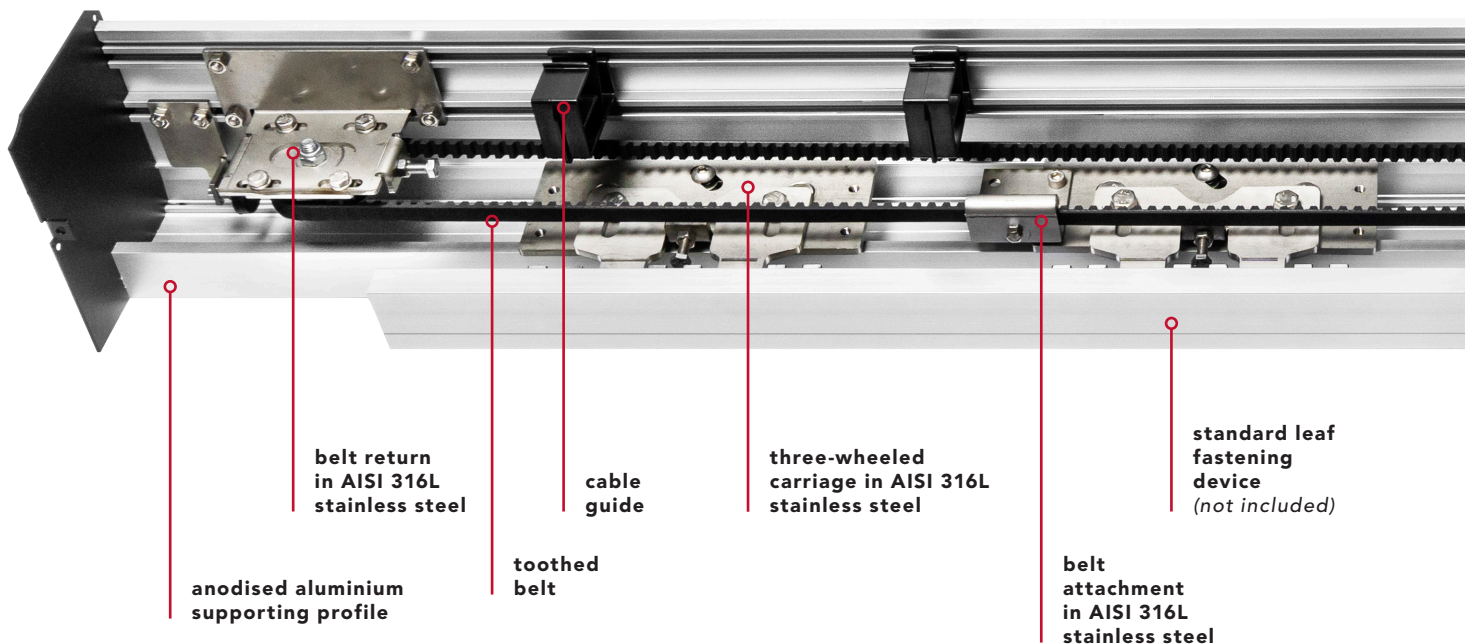
LUCE WORKS



↓ download LUCE WORKS instructions and certificates

www.myoneautomation.com

Operator for sliding doors with three-wheeled carriages, which ensures a high leaf stability and facilitates the adjustment both in height and in depth. Components and screws are entirely made of AISI 316L stainless steel. The box protecting the motor and the control unit is IP65 rated. The control unit is equipped with a LED alphanumeric display, a full range switching power supply (100 - 240 V 50/60 Hz) and a battery charger. The presence of a USB connector allows you to quickly and easily update the firmware as well as instantly copy operating parameters and logics to a new system. Continuous operation guaranteed.



technical data

power supply	full range 100+240 Vac 50/60 Hz
power consumption	70 W
power consumption in stand-by	3 W
accessories power supply	24 Vdc = / 1 A max
maximum speed 1 door	0.8 m/s
maximum speed 2 doors	1.6 m/s
maximum load 1 door	200 kg
maximum load 2 doors	130 + 130 kg
type and frequency of use	continuous operation = 100%
operating temperature	-15°C / +50°C
protection degree	IP65
data backup memory	USB flash drive



1 leaf
max. weight
200 kg

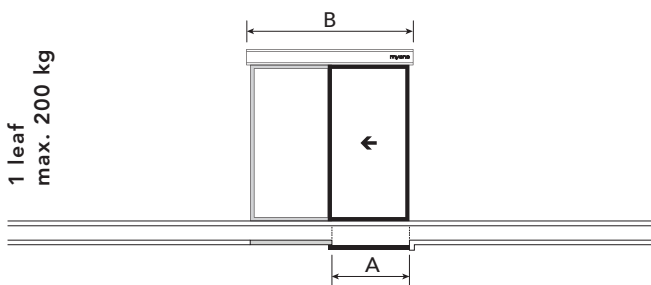


2 leaves
max. weight
130 + 130 kg

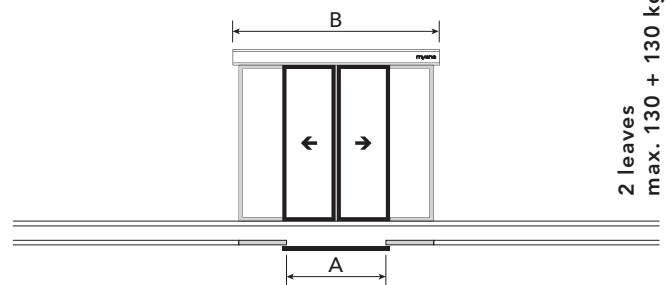


watertight preassembled

*The values of the passage size (A) and of the leaf are indicative and include an overlap of around 50 mm.



1 leaf
max. 200 kg



2 leaves
max. 130 + 130 kg

	A	B
LUCEW1901	900 mm	1900 mm
LUCEW2101	1000 mm	2100 mm
LUCEW2501	1200 mm	2500 mm
LUCEW2901	1400 mm	2900 mm
LUCEW3301	1600 mm	3300 mm
LUCEW3701	1800 mm	3700 mm
LUCEW4201	2000 mm	4200 mm
LUCEW5001	2450 mm	5000 mm
LUCEW6501	3100 mm	6500 mm

	A	B
LUCEW1902	900 mm	1900 mm
LUCEW2102	1000 mm	2100 mm
LUCEW2502	1200 mm	2500 mm
LUCEW2902	1400 mm	2900 mm
LUCEW3302	1600 mm	3300 mm
LUCEW3702	1800 mm	3700 mm
LUCEW4202	2000 mm	4200 mm
LUCEW5002	2450 mm	5000 mm
LUCEW6502	3100 mm	6500 mm

the preassembled operator is made up of:

control unit | gear motor with encoder | three-wheeled sliding carriages made of AISI 316L stainless steel | anodised aluminium supporting profile and cover | belt return made of AISI 316L stainless steel | mechanical end-stop made of AISI 316L stainless steel | belt | cable guide | A4 screw kit | lateral sides

discover the Myone frame range



www.myoneautomation.com

framed door accessories - commercial frame



01AL0030 - 1000 mm
01AL0031 - 1500 mm
01AL0032 - 2000 mm

Aluminium floor guide for one leaf.



01FE0018

Floor guide slider.



01AL0008 - 1000 mm
01AL0009 - 1500 mm
01AL0010 - 2000 mm

Standard leaf fastening device complete with fixing brackets for the carriage.

glass door accessories - fastening set for glass leaves



99AC0004

Fastening set for glass leaf (10-12 mm) with pre-drilled holes.
- L. 1000 mm



99AC0005

Fastening set for glass leaf (10-12 mm) with pre-drilled holes.
- L. 1500 mm



99AC0006

Fastening set for glass leaf (10-12 mm) with pre-drilled holes.
- L. 2000 mm



01FE0049

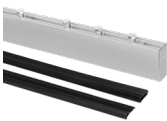
Glass door slider.
- 6 piece pack



01FE0050

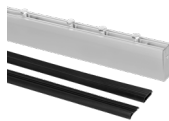
Glass door stainless steel slider.

glass door accessories - fastening clamp set for glass leaves



99AC0001

Fastening clamp set for glass leaf (10-12 mm thickness).
- L. 1000 mm



99AC0002

Fastening clamp set for glass leaf (10-12 mm thickness).
- L. 1500 mm



99AC0003

Fastening clamp set for glass leaf (10-12 mm thickness).
- L. 2000 mm



01FE0049

Glass door slider.
- 6 piece pack



01FE0050

Glass door stainless steel slider.



MYONE Srl

Via Abbate Tommaso, 52
30020 Quarto D'Altino (VE) ITALY

T +39 0422 824384

info@myoneautomation.com
www.myoneautomation.com