

myone



**standard
sliding doors**

LUCE LIGHT

The Luce Light sliding doors are the ideal solution for automated pedestrian access points in private and public locations: offices, shops and commercial businesses in general. Fast and easy to install, with continuous operation, they offer top performance and reliability. Available in single-leaf (up to 150 kg) or double-leaf (up to 80+80 kg) versions.



LUCE LIGHT

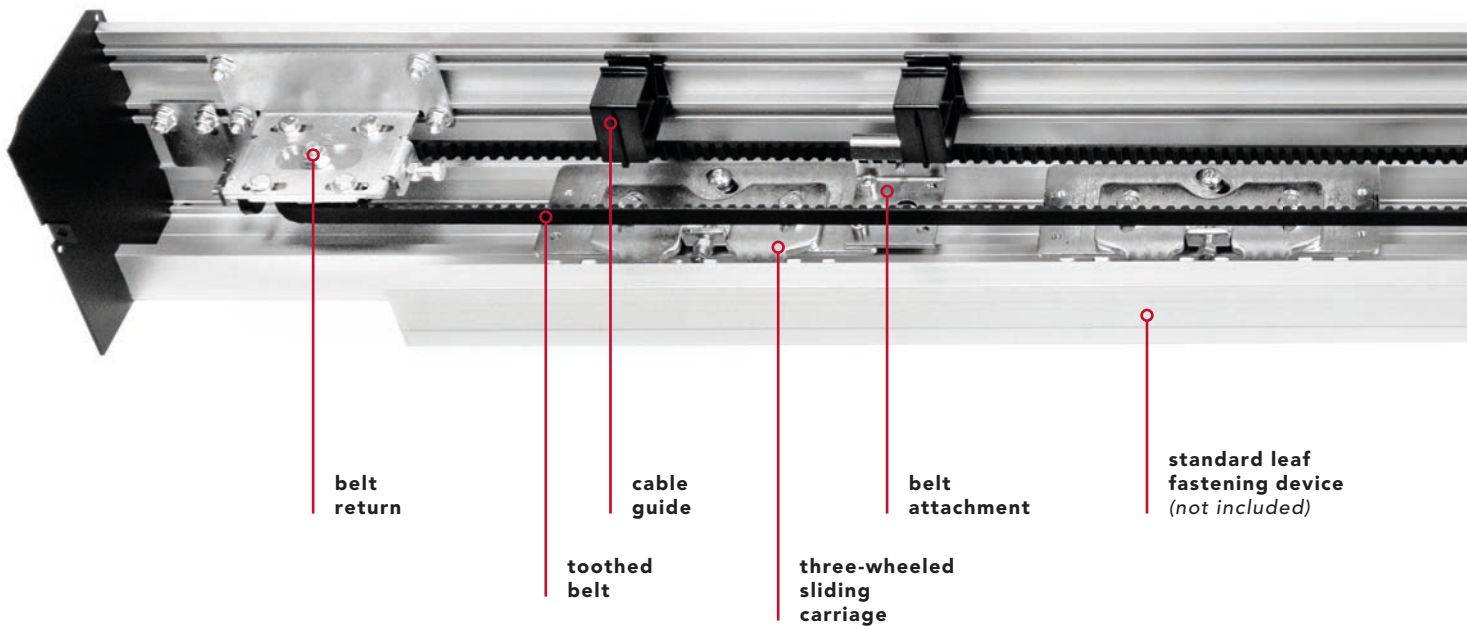


download LUCE LIGHT
instructions
and certificates

www.myoneautomation.com

Operator for sliding doors with three-wheeled carriages, which ensures that the doors are very stable and easy to adjust, both in height and depth.

The operator has a control unit with LED alphanumeric display, full-range switching power supply (100-240 V 50/60 Hz) and battery charger. The presence of a USB connector makes it simple and quick to update the firmware as well as to copy parameters and operating logics to a new system instantly. Continuous operation guaranteed.



technical data

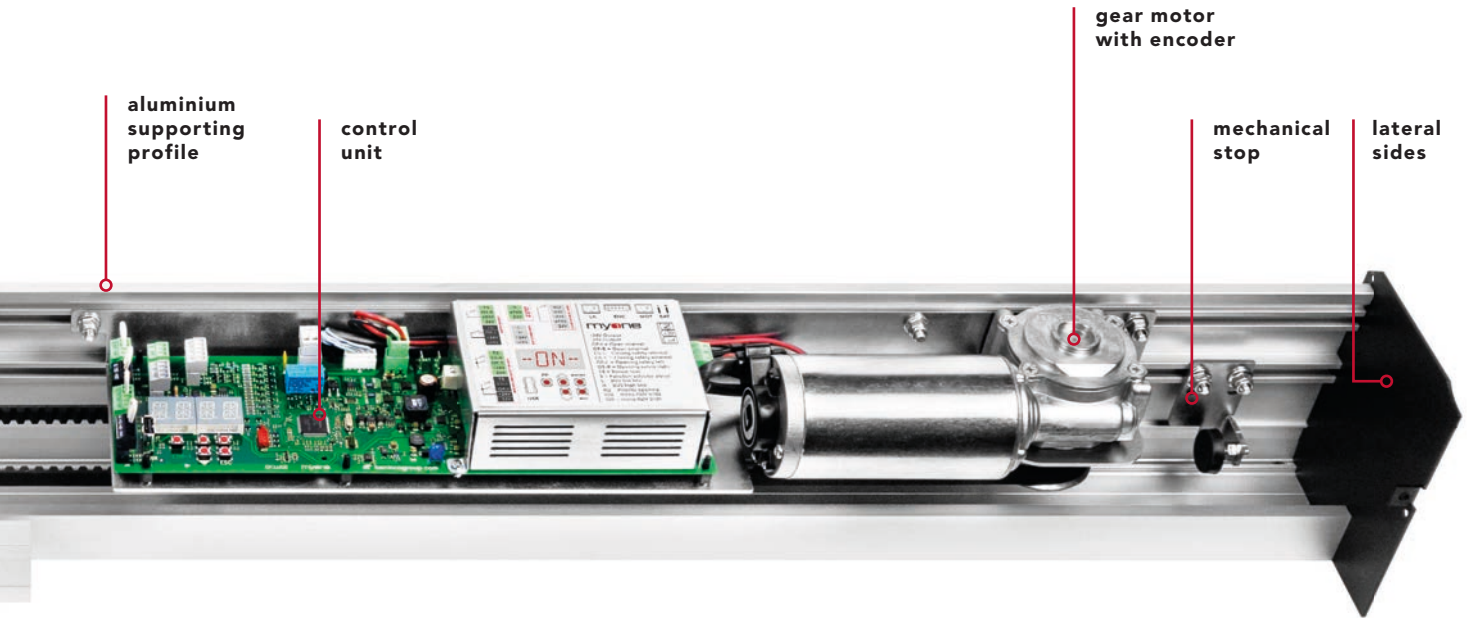
power supply	full range 100÷240 Vac 50/60 Hz
power consumption	70 W
power consumption in stand-by	3 W
accessories power supply	24 Vdc = / 1 A max
maximum speed 1 door	0.8 m/s
maximum speed 2 doors	1.6 m/s
maximum load 1 door	150 kg
maximum load 2 doors	80 + 80 kg
type and frequency of use	continuous operation = 100%
operating temperature	-15°C / +50°C
protection degree	IP20
data backup memory	USB flash drive



1 leaf
max. weight
150 kg

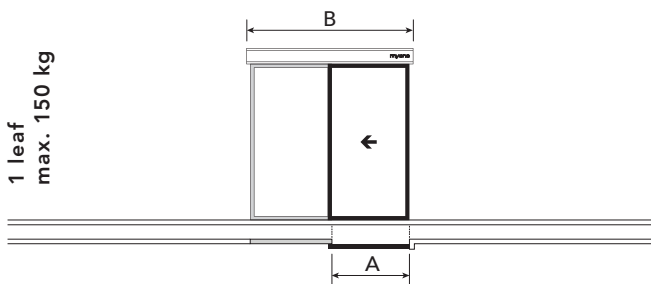


2 leaves
max. weight
80 + 80 kg

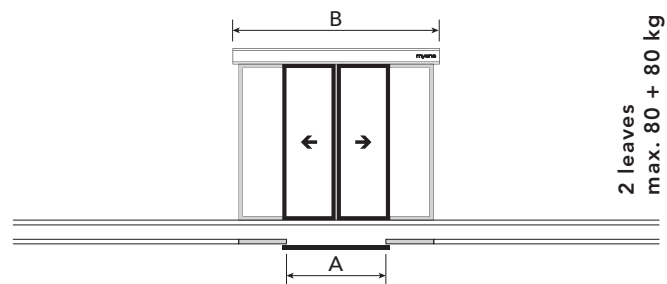


preassembled sliding doors

*The values of the passage size (A) and of the leaf are indicative and include an overlap of around 50 mm.



1 leaf
max. 150 kg



2 leaves
max. 80 + 80 kg

	A	B
LUCEL1901	900 mm	1900 mm
LUCEL2101	1000 mm	2100 mm
LUCEL2501	1200 mm	2500 mm
LUCEL2901	1400 mm	2900 mm
LUCEL3301	1600 mm	3300 mm
LUCEL3701	1800 mm	3700 mm
LUCEL4201	2000 mm	4200 mm
LUCEL5001	2450 mm	5000 mm
LUCEL6501	3100 mm	6500 mm

	A	B
LUCEL1902	900 mm	1900 mm
LUCEL2102	1000 mm	2100 mm
LUCEL2502	1200 mm	2500 mm
LUCEL2902	1400 mm	2900 mm
LUCEL3302	1600 mm	3300 mm
LUCEL3702	1800 mm	3700 mm
LUCEL4202	2000 mm	4200 mm
LUCEL5002	2450 mm	5000 mm
LUCEL6502	3100 mm	6500 mm

the preassembled operator is made up of:

control unit | gear motor with encoder | three-wheeled sliding carriages | supporting profile | anodised aluminium cover | belt return | mechanical stop | belt | cable guide | screw kit | lateral sides



MYONE Srl

Via Abbate Tommaso, 52
30020 Quarto D'Altino (VE) ITALY

T +39 0422 824384

info@myoneautomation.com
www.myoneautomation.com