

# myone



**swing  
door**

## ARIA | ARIA.S

The operator models for swing doors, Aria and Aria S, can be used in public or private locations. The two versions meet two different requirements for use. Aria has an automatic opening and closure system, whereas the S model is distinguished by spring closing system.



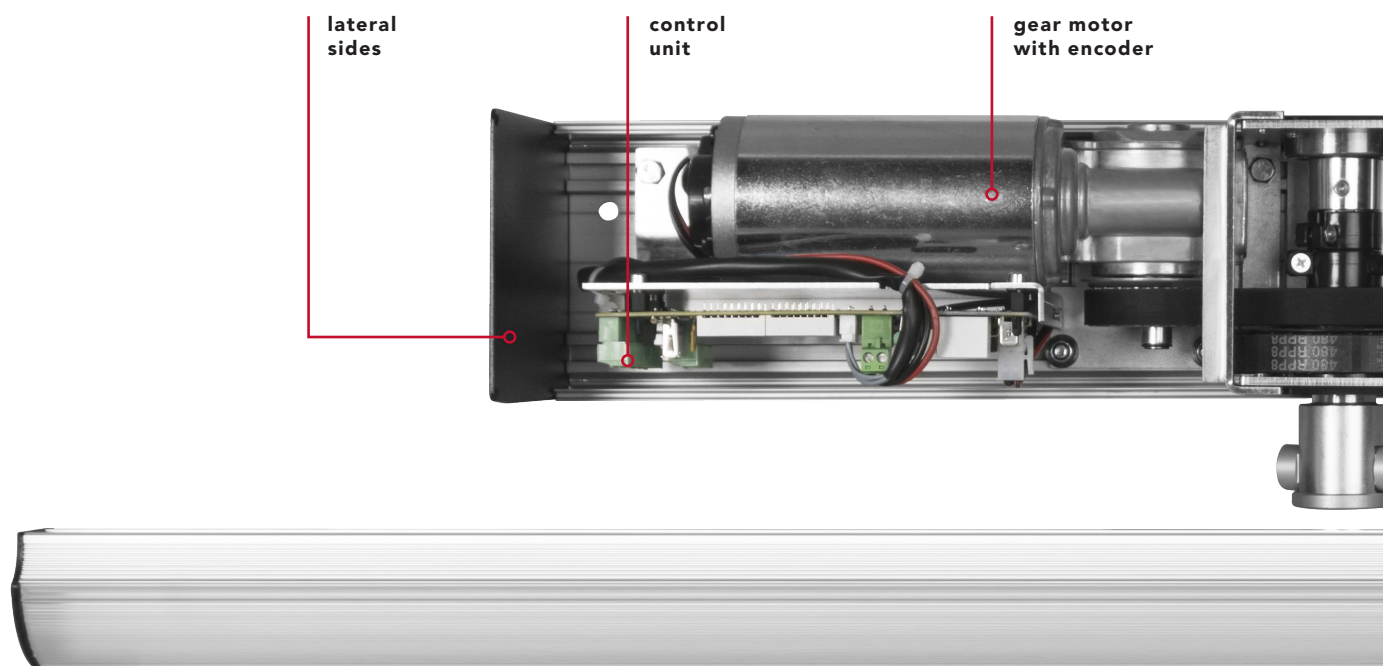
# ARIA | ARIA S



download ARIA | ARIA S  
instructions  
and certificates

[www.myoneautomation.com](http://www.myoneautomation.com)

Aria has a new, elegant design with high aesthetic cleanness. It is an operator for single- or double-leaf swing doors and is ideal for continuous operation. It is available in a version with automatic opening and closing or with spring closing system (Aria S) and is recommended for public locations, such as hospitals or healthcare facilities, locations open to the general public such as hotels, offices, shops and banks, as well as in residential settings. It is activated using buttons, sensors and key-operated or rotating selectors.



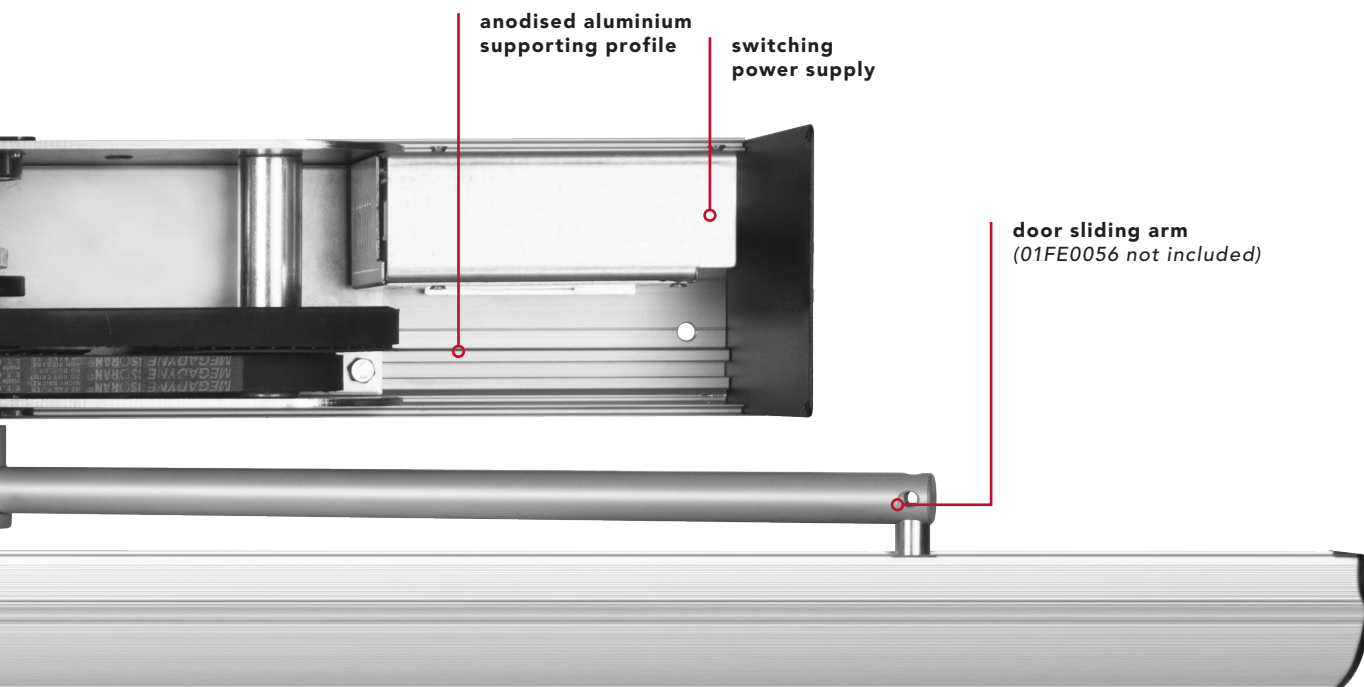
## technical data



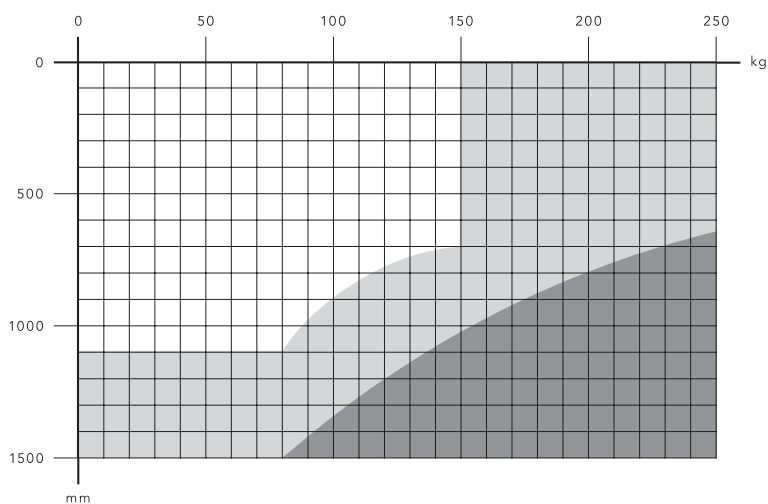
	ARIA	ARIA S
power supply	full range 100÷240 Vac   50/60 Hz	full range 100÷240 Vac   50/60 Hz
power consumption	70 W	70 W
power consumption in stand-by	3 W	3 W
accessories power supply	24 Vdc = / 1 A max	24 Vdc = / 1 A max
opening time	3÷12 s / 90°	5÷15 s / 90°
closing time	5÷12 s / 90°	6÷15 s / 90°
maximum torque	45 Nm	28 Nm opening   18 Nm closing
operation type	motor-driven opening   motor-driven closing	motor-driven opening   spring closing
type and frequency of use	continuous operation = 100%	continuous operation = 100%
operating temperature	-15°C / +50°C	-15°C / +50°C
protection degree	IP31	IP31
data backup memory	USB flash drive	USB flash drive



Various parameters can be selected, including the Push and Go function, which is essential whenever you want to activate automatic opening by an initial manual push. With its low-energy function, which enables the door to be opened with low energy and speed, Aria is particularly suited to settings where there are people with mobility problems.



### indications for use



- recommended sizes
- size limits
- use not permitted



## swing door accessories



### 01AL0024

Joint guard for installing two operators for swing doors.

- L. 1000 mm



### 01AL0025

Joint guard for installing two operators for swing doors.

- L. 2000 mm



### 01AL0026

Joint guard for installing two operators for swing doors.

- L. 4000 mm



### 01FE0055

Door articulated arm to push.



### 01FE0056

Door sliding arm to pull.



### 01FE0054

Extension for door arm attachment.



### 31RS0001

Swing door safety sensor (silver colour).

- IP54  
- L. 350 mm



### 31RS0002

Swing door safety sensor (silver colour).

- IP54  
- L. 900 mm



### 99BA0004

Pre-wired emergency battery kit.



### 31B0001

3 position rocker-switch.



**MYONE Srl**

Via Abbate Tommaso, 52  
30020 Quarto D'Altino (VE) ITALY

T +39 0422 824384

[info@myoneautomation.com](mailto:info@myoneautomation.com)  
[www.myoneautomation.com](http://www.myoneautomation.com)